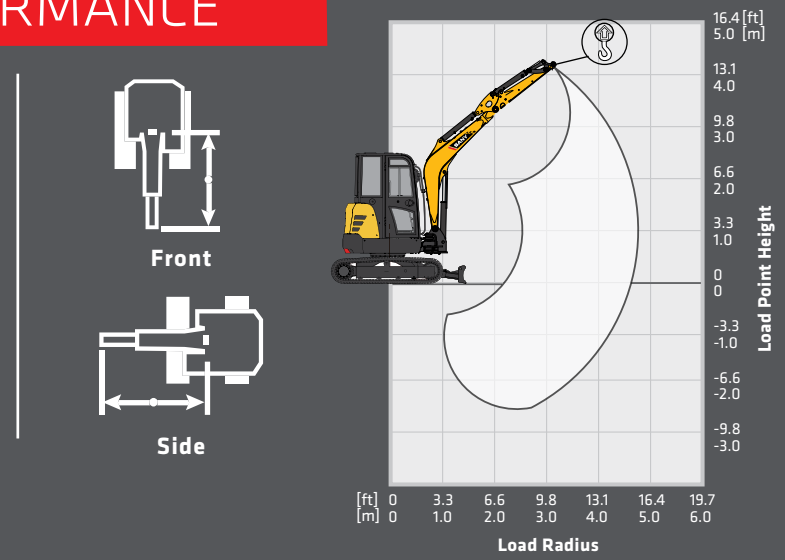


# SY35U LIFTING PERFORMANCE

Standard 8' 4" (2 540 mm) Boom  
 Standard 4' 7" (1 400 mm) Arm  
 Standard 12" (300 mm) Track Shoes  
 No Bucket

Ratings are based on ISO 10567.  
 Lift capacity does not exceed 75% of tipping load with the machine on firm, level ground or 87% of hydraulic lifting capacity.



## BLADE DOWN

LOAD RADIUS	6.6 ft 2.0 m		9.8 ft 3.0 m		13.1 ft 4.0 m		MAX REACH	
LOAD POINT HEIGHT								
13.1 ft 4.0 m							1,767 lb* 803 kg*	1,452 lb 660 kg
9.8 ft 3.0 m					1,800 lb* 818 kg*	1,107 lb 503 kg	1,514 lb* 688 kg*	1,008 lb 458 kg
6.6 ft 2.0 m			2,200 lb* 1 000 kg*	1,676 lb 762 kg	1,881 lb* 855 kg*	1,080 lb 491 kg	1,476 lb* 667 kg*	849 lb 386 kg
3.3 ft 1.0 m			3,183 lb* 1 447 kg*	1,547 lb 703 kg	2,279 lb* 1 036 kg*	1,030 lb 468 kg	1,529 lb* 695 kg*	801 lb 364 kg
0 ft 0 m			3,630 lb* 1 650 kg*	1,472 lb 669 kg	2,501 lb* 1 137 kg*	994 lb 452 kg	1,731 lb* 787 kg*	816 lb 371 kg
-3.3 ft -1.0 m	5,218 lb* 2 372 kg*	2,745 lb 1 245 kg	3,588 lb* 1 631 kg*	1,463 lb 665 kg	2,380 lb* 1 082 kg*	992 lb 451 kg	2,198 lb* 999 kg*	948 lb 431 kg
-6.6 ft -2.0 m	4,525 lb* 2 057 kg*	2,837 lb 1 287 kg	2,677 lb* 1 217 kg*	1,520 lb 691 kg			2,255 lb* 1 023 kg*	1,364 lb 620 kg

## BLADE UP

LOAD RADIUS	6.6 ft 2.0 m		9.8 ft 3.0 m		13.1 ft 4.0 m		MAX REACH	
LOAD POINT HEIGHT								
13.1 ft 4.0 m							1,549 lb 704 kg	1,452 lb 660 kg
9.8 ft 3.0 m					1,175 lb 534 kg	1,107 lb 503 kg	1,069 lb 486 kg	1,008 lb 458 kg
6.6 ft 2.0 m			1,797 lb 817 kg	1,676 lb 762 kg	1,148 lb 522 kg	1,080 lb 491 kg	904 lb 411 kg	849 lb 386 kg
3.3 ft 1.0 m			1,661 lb 755 kg	1,547 lb 703 kg	1,098 lb 499 kg	1,030 lb 468 kg	851 lb 387 kg	801 lb 364 kg
0 ft 0 m			1,584 lb 720 kg	1,472 lb 669 kg	1,060 lb 482 kg	994 lb 452 kg	876 lb 398 kg	816 lb 371 kg
-3.3 ft -1.0 m	3,029 lb 1 377 kg	2,739 lb 1 245 kg	1,577 lb 717 kg	1,463 lb 665 kg	1,060 lb 482 kg	992 lb 451 kg	1,010 lb 459 kg	950 lb 431 kg
-6.6 ft -2.0 m	3,131 lb 1 423 kg	2,831 lb 1 287 kg	1,635 lb 743 kg	1,520 lb 691 kg			1,463 lb 665 kg	1,364 lb 620 kg

\* Indicates load limited by hydraulic lifting capacity  
 In the interest of continual equipment development, SANY America Inc. reserves the right to change these specifications at any time without prior notification.

# SY35U

## PRODUCT SPECIFICATIONS



## STANDARD FEATURES

- Zero Tail Swing
- Boom Swing Functionality Allows for Offset Digging in Confined Areas
- Load-Sensing Hydraulic System Provides Increased Efficiency and Control
- Powerful Yanmar Engine

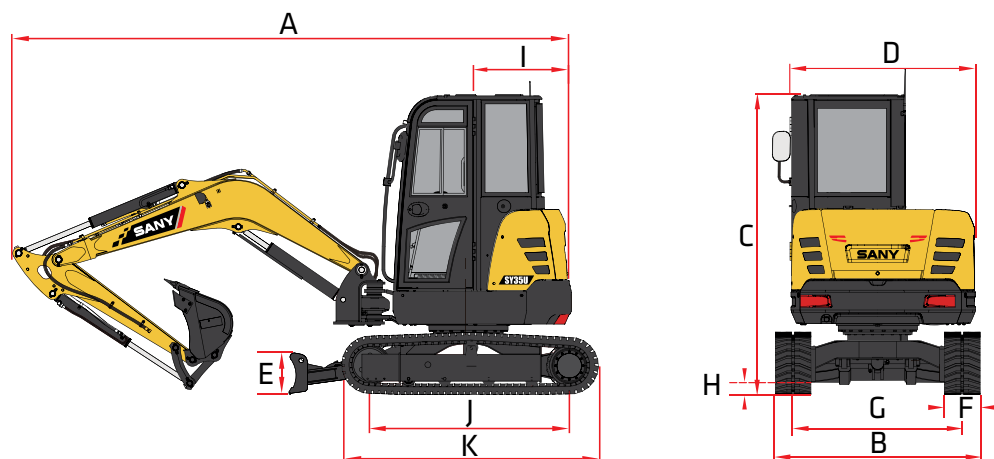
Gross Power  
**24 hp**

Dig Depth  
**10' 2"**

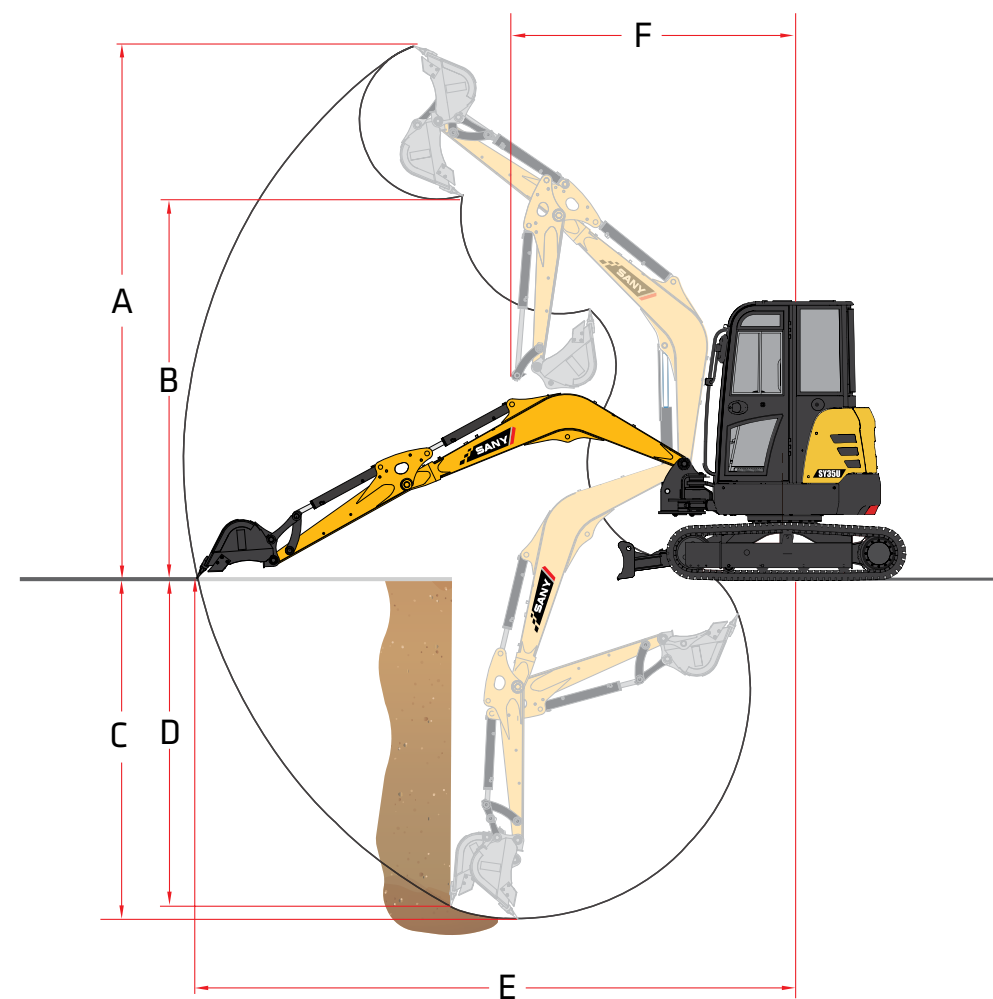
Operating Weight  
**8,499 lbs (Cab)**  
**8,367 lbs (Canopy)**

Bucket Breakout  
**6,834 lbf**

DIMENSIONS



WORKING RANGE



Powerful lift and dig performance in a compact design

TECHNICAL SPECIFICATIONS

Operating Weight (Cab)	8,499 lb	3 855 kg
Operating Weight (Canopy)	8,367 lb	3 795 kg
Ground Pressure	4.6 psi	32.0 kPa
<b>Engine</b>	Yanmar 3TNV88	
Displacement	97.6 in <sup>3</sup>	1.6 L
Gross Power	24 HP	18.2 kW
<b>Hydraulics</b>	Load Sensing with Pilot Control	
Main Hydraulic Pump	Axial Piston – Variable Displacement	
Operating Flow (maximum)	23.2 gal/min	88.0 L/min
Operating Pressure (maximum)	3,553 psi	24.5 MPa
Auxiliary Flow (maximum)*	18 gal/min	70 L/min
Auxiliary Pressure (maximum)	2,901 psi	20 MPa
<b>Travel Motor</b>	Axial Piston with Park Brake	
Travel Pressure (maximum)	3,553 psi	24.5 MPa
Travel Speeds (maximum)	1.5 / 2.7 mph	2.4 / 4.4 km/hr
Travel Effort (maximum)	8,273 lbf	36.8 kN
Grade Capability (maximum)	35°	
<b>Swing Motor</b>	Axial Piston with Swing Brake	
Swing Pressure (maximum)	2,988 psi	20.6 MPa
Swing Speed (maximum)	9 RPM	
<b>Undercarriage (standard)</b>	Belted Rubber Track	
Track Shoe width (standard)	12"	300 mm
Track Rollers (per side)	4	
Carrier Rollers (per side)	1	

DIMENSIONS

Boom Length	8' 4"	2 540 mm
Stick (Arm) Length	4' 7"	1 400 mm
A Transport Length	16' 2"	4 915 mm
B Transport Width	5' 8"	1 720 mm
C Transport Height	8' 3"	2 515 mm
D Upper Structure Width	5' 1"	1 550 mm
E Blade Height	14"	350 mm
F Track Width (standard shoe)	12"	300 mm
G Track Gauge	4' 8"	1 420 mm
H Ground Clearance (minimum)	12"	295 mm
I Tail Swing Radius	2' 10"	860 mm
J Track Length on Ground	5' 6"	1 670 mm
K Track Length	7' 1"	2 155 mm

SERVICE REFILL CAPACITIES

Fuel Tank Capacity	10.6 gal	40.0 L
Hydraulic Tank Capacity	10.6 gal	40.0 L
Engine Oil Capacity	1.8 gal	6.7 L
Cooling System Capacity	1.8 gal	6.5 L

WORKING RANGE

Boom Length	8' 4"	2 540 mm
Stick (Arm) Length	4' 7"	1 400 mm
A Maximum Digging Height	15' 11"	4 855 mm
B Maximum Dumping Height	11' 4"	3 460 mm
C Maximum Digging Depth	10' 2"	3 105 mm
D Maximum Vertical Wall Digging Depth	8' 10"	2 700 mm
E Maximum Reach at Ground Level	17' 11"	5 465 mm
F Minimum Swing Radius	8' 1"	2 475 mm

DIGGING PERFORMANCE

Boom Length	8' 4"	2 540 mm
Stick (Arm) Length	4' 7"	1 400 mm
Bucket Breakout Force (ISO)	6,834 lbf	30.4 kN
Stick (Arm) Digging Force (ISO)	4,092 lbf	18.2 kN

\*Based on theoretical calculation at max flow with no load. Subject to alterations.  
 In the interest of continual equipment development, SANY America, Inc. reserves the right to change these specifications at any time without prior notification.  
 ©2022 SANY America Inc. HEXPS22SY35U001

In the interest of continual equipment development, SANY America, Inc. reserves the right to change these specifications at any time without prior notification.  
 ©2022 SANY America Inc. HEXPS22SY35U001